

# PARTS CATALOG

Limited Warranty - IBM Service Parts .....	3
How To Use This Parts Catalog .....	4
Visual Index .....	6
Assembly 1. System Unit - Exterior (5170) .....	7
Assembly 2. System Unit - Interior (5170) .....	8
Assembly 3. Diskette Drives (5-1/4 Inch) .....	10
Assembly 4. Fixed Disk Drives .....	11
Assembly 5. Internal Options and Adapters .....	12
Assembly 6. Monochrome Display (5151) .....	14
Assembly 7. Color Display (5153) .....	16
Assembly 8. Enhanced Color Display (5154) .....	18
Assembly 9. Professional Graphics Display (5175) .....	20
Assembly 10. Keyboard (84-Key) .....	22
Assembly 11. Keybutton Kits (84-Key) .....	23
Assembly 12. Keybuttons (84 Key) .....	24
Assembly 13. Keyboard (101/102 Key) .....	26
Assembly 14. Keybutton Kits (101/102 Key) .....	27
Assembly 15. Keybuttons (101/102-Key Keyboard) ...	28
Assembly 16. Power Cords .....	30
Assembly 17. Miscellaneous .....	32

**Notes:**

The warranty terms and conditions applicable in the country of purchase (except for the United States and Puerto Rico) in respect of an IBM Personal Computer product are available from the supplier.

## Limited Warranty - IBM Service Parts

### (Applies to United States and Puerto Rico)

The International Business Machines Corporation warrants that each IBM Service Part will be free from defects in material and workmanship under conditions of normal use for a period of 90 days from the date of purchase from IBM or an Authorized IBM Personal Computer Dealer. Service Parts will be either reconditioned or new parts. Should an IBM Service Part fail to be free from defects in materials or workmanship during the 90-day warranty period, IBM will, at its option, repair or replace this Service Part at no charge in the United States or Puerto Rico. All replaced Service Parts will become the property of IBM. This limited warranty does not include service to repair damage to the Service Part resulting from accident, disaster, misuse, abuse, or non-IBM modification of the Product.

Limited Warranty service may be obtained by delivering the defective Service Part during the 90-day warranty period to an Authorized the IBM Personal Computer Dealer, or any IBM Service Exchange Center in the United States or Puerto Rico. A dated proof of purchase from IBM or an Authorized IBM Personal Computer Dealer must accompany the claim. Contact IBM by writing to IBM National Parts Center, P.O. Box 481, Greencastle, Indiana 46135 for further information.

ALL EXPRESS OR IMPLIED WARRANTIES FOR THIS SERVICE PART, INCLUDING THE WARRANTIES OF MERCHANTABILITY AND FITNESS FOR A PARTICULAR PURPOSE, ARE LIMITED IN DURATION TO A PERIOD OF 90 DAYS FROM THE DATE OF PURCHASE, AND NO WARRANTIES, WHETHER EXPRESS OR IMPLIED, WILL APPLY AFTER THIS PERIOD. SOME STATES DO NOT ALLOW LIMITATIONS ON HOW LONG AN IMPLIED WARRANTY LASTS, SO THE ABOVE LIMITATIONS MAY NOT APPLY TO YOU.

IF THIS SERVICE PART IS DEFECTIVE IN MATERIALS OR WORKMANSHIP UNDER CONDITIONS OF NORMAL USE, AS WARRANTED ABOVE, YOUR SOLE REMEDY SHALL BE REPAIR OR REPLACEMENT AS PROVIDED ABOVE. IN NO EVENT WILL IBM BE LIABLE TO YOU FOR ANY DAMAGES, INCLUDING LOST PROFITS, LOST SAVINGS OR OTHER INCIDENTAL OR CONSEQUENTIAL DAMAGES ARISING OUT OF THE USE OF OR INABILITY TO USE SUCH PRODUCT, EVEN IF IBM OR AN AUTHORIZED IBM PERSONAL COMPUTER DEALER HAS BEEN ADVISED OF THE POSSIBILITY OF SUCH DAMAGES, OR FOR ANY CLAIM BY ANY OTHER PARTY.

SOME STATES DO NOT ALLOW THE EXCLUSION OR LIMITATION OF INCIDENTAL OR CONSEQUENTIAL DAMAGES FOR CONSUMER PRODUCTS, SO THE ABOVE LIMITATIONS OR EXCLUSIONS MAY NOT APPLY TO YOU.

THIS WARRANTY GIVES YOU SPECIFIC LEGAL RIGHTS, AND YOU MAY ALSO HAVE OTHER RIGHTS WHICH MAY VARY FROM STATE TO STATE.

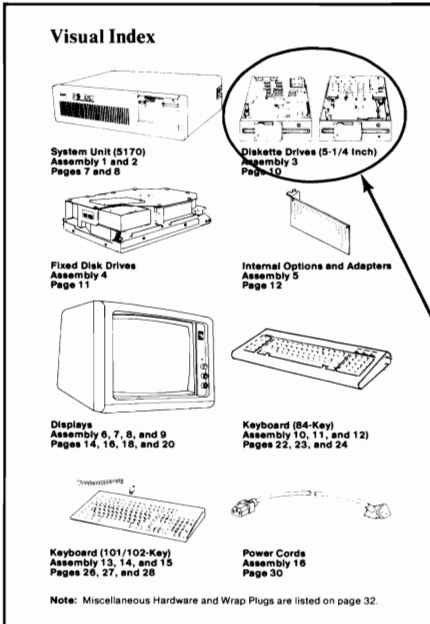
# How To Use This Parts Catalog

1. **Similar Parts** - If two parts are similar, they may be listed in the same list. Similar parts are referenced by one index number but are distinguished by the part number and description.
2. **NS** - When this indication appears in the ASM-INDEX column, it denotes a part not shown in the assembly. This designation is generally used for miscellaneous parts packets.
3. **R** - This entry in the Units column indicates the part has a restricted availability.
4. **AR** - As Required (AR) in the Units column denotes that the units per assembly may vary based upon system configuration.
5. **Indenture** - The indenture is marked by a series of dots located before the parts description. The indenture indicates the relationships of a part to the next higher assembly.

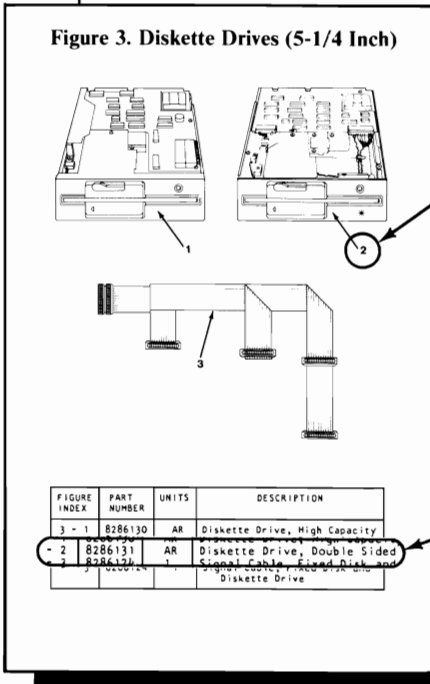
## Example of a Parts List

ASM - INDEX	PART NUMBER	UNITS	DESCRIPTION
1 -	1234567		Main Assembly
- 1	1234568	1	• Subassembly
- 2	1234569	1	• Subassembly, US
- 2	1234566	1	• Subassembly, Non-US
- 3	1234565	R	•• Detailed Part Restricted
- 4	1234564	1	• Subassembly
			•• Detailed Part
			•• Detailed Part
			•• Detailed Part
- NS	1234563	1	• Subassembly Not Shown
			•• Detailed Part
			•• Detailed Part
- 5	1234562	AR	• Subassembly - Use as Required

# How to Use the Visual Index



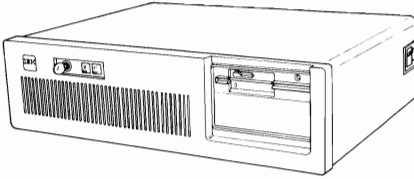
**1. Turn to the visual index and locate, by illustration, the assembly part containing the part.**



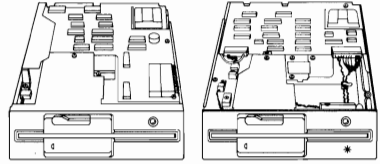
**2. Turn to the page for that assembly and locate the part visually.**

**3. Using the index number shown with the part, refer to the accompanying listing to obtain the part number.**

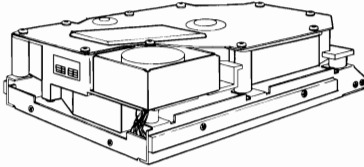
# Visual Index



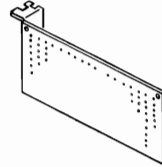
**System Unit (5170)  
Assembly 1 and 2  
Pages 7 and 8**



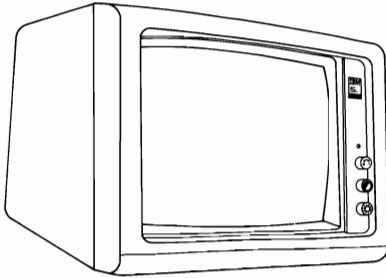
**Diskette Drives (5-1/4 Inch)  
Assembly 3  
Page 10**



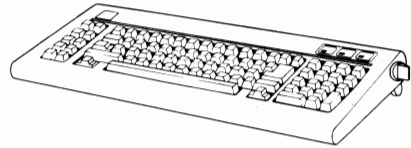
**Fixed Disk Drives  
Assembly 4  
Page 11**



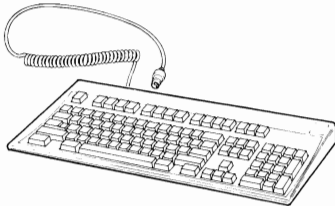
**Internal Options and Adapters  
Assembly 5  
Page 12**



**Displays  
Assembly 6, 7, 8, and 9  
Pages 14, 16, 18, and 20**



**Keyboard (84-Key)  
Assembly 10, 11, and 12)  
Pages 22, 23, and 24**



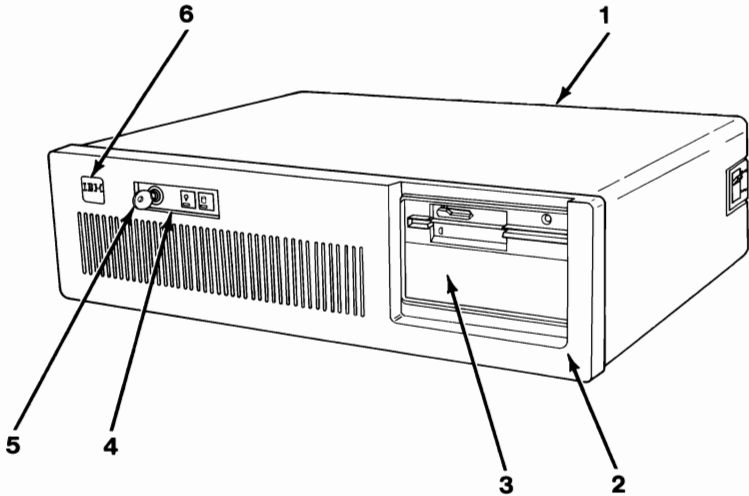
**Keyboard (101/102-Key)  
Assembly 13, 14, and 15  
Pages 26, 27, and 28**



**Power Cords  
Assembly 16  
Page 30**

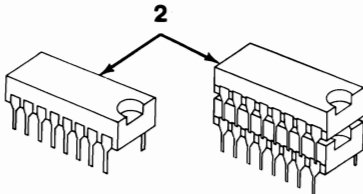
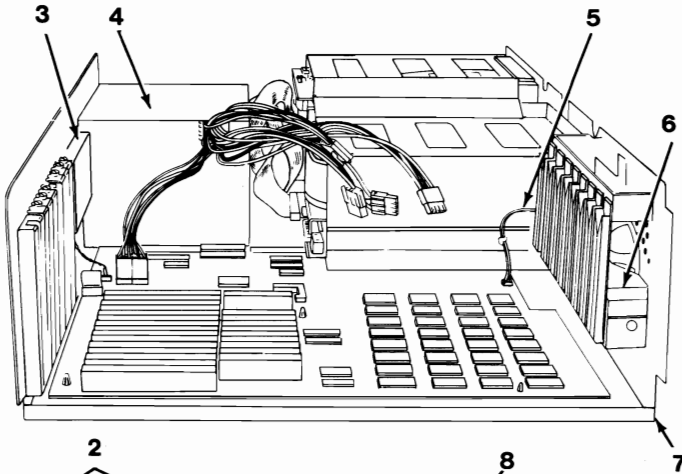
**Note:** Miscellaneous Hardware and Wrap Plugs are listed on page 32.

# Assembly 1. System Unit - Exterior (5170)



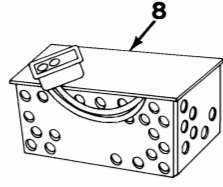
ASM - INDEX	PART NUMBER	UNITS	DESCRIPTION
1 - 1	8286119	1	Cover
- 2	8286134	1	Front Bezel
- 3	8286114	AR	Blank Bezel
- 4	8286133	1	Control Panel Assembly
- 5	8286117	1	• Key Lock Assembly
- NS	8286169	1	Back Panel
- 6	8286137	R	AT Label/Logo Kit
			• Nameplate
			• Logo, Front
			• Spring, Logo
			• Label, Identification

# Assembly 2. System Unit - Interior (5170)

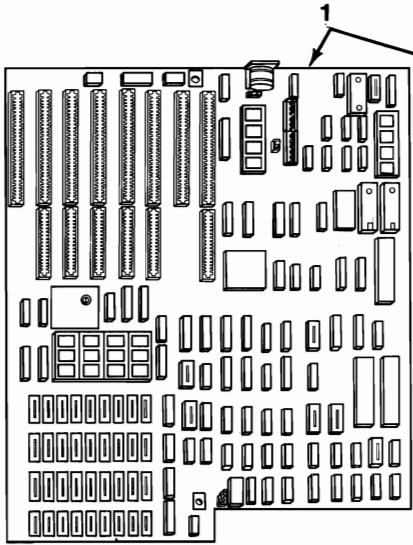


**256Kb RAM Module**

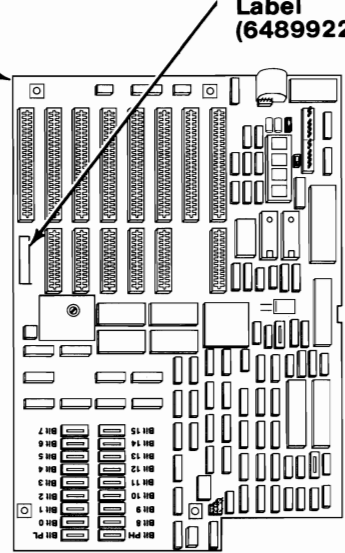
**128Kb RAM Module**



**Type 3 Label (6489922)**



**Type 1**



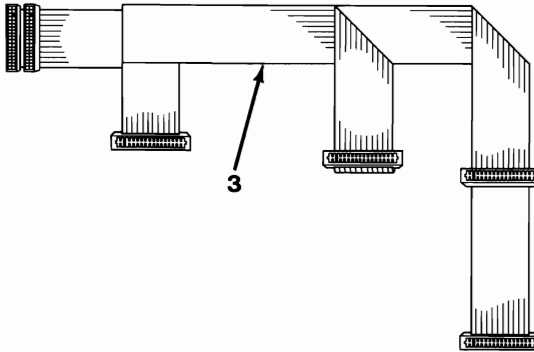
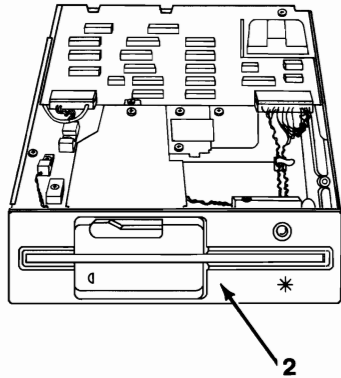
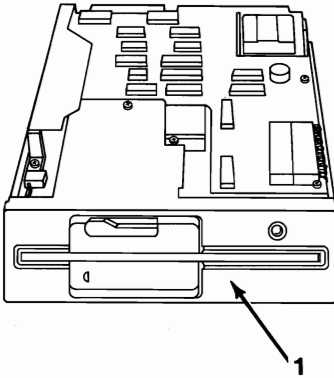
**Type 2 or 3**



# System Unit (5170)

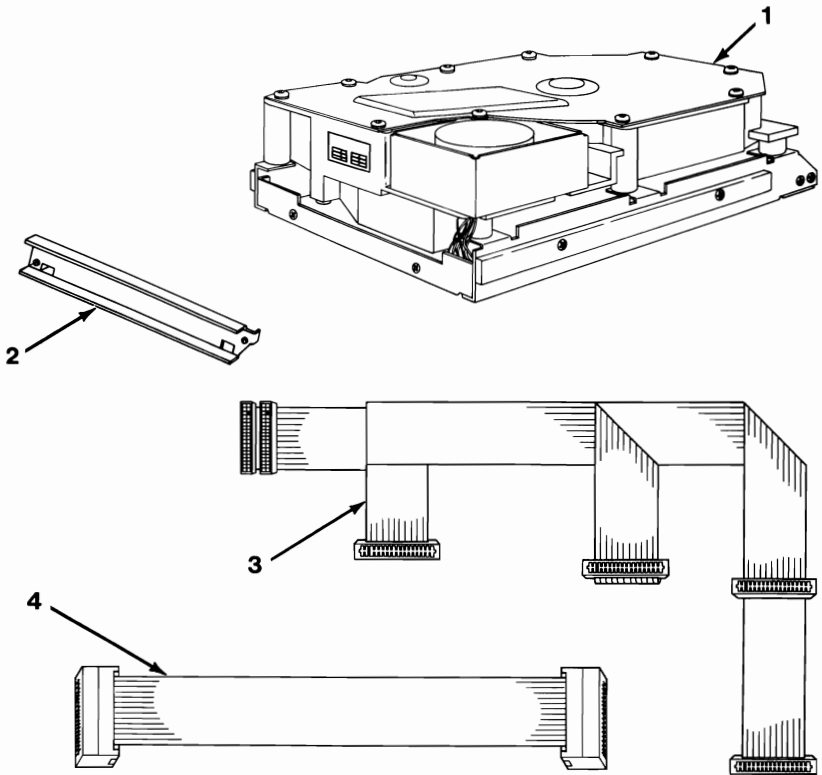
ASM - INDEX	PART NUMBER	UNITS	DESCRIPTION
2 - 1	6480170	1	System Board, Type 1, 256KB-512KB (Populated to 256K)
- 2	8286139	AR	• 128KB RAM Module (Qty 1)
- 1	6480072	1	System Board, Type 2, 512KB
- 2	6480008	18	• 256KB RAM Module (Qty 1)
- 1	6489922	1	System Board, Type 3, 512KB (Identified by FRU number on board)
- 2	6480008	18	• 256KB RAM Module (Qty 1)
- 3	8286121	1	Battery
- 4	8286122	1	Power Supply
- 5	8286118	1	Cable, Control Panel
- 6	8529143	1	Speaker Assembly
- 7	6480007	R	Base Frame Assembly
- 8	8286123	AR	Load Resistor, Power Supply
- NS	8286132	AR	Miscellaneous Metal Parts Kit • Plate, Access Hole • Bracket, Blank • Keeper, Bracket • Straps, Drive Ground • Clip, Retainer • Clamps, Full Frontal • Clip
- NS	8286135	AR	Plastic Parts Kit • Keeper, Bezel • Bracket, Adapter Support • Spring, Keyboard Foot • Supports, System Board (Qty 5) • Foot Pad, System Unit • Foot Pad, Keyboard • Lens Insert, Keyboard (US UK Spain) • Contact Strip
- NS	8286136	AR	Screw Hardware Kit • Screw, Self-Tap • Screw, System Unit • Star Washer, Lock Washer, Screw 2-56 • Screw, Panel • Screw, Cover • Screw, Hex • Hex Nut, 2-56 • Screw, 6-32 • Nut, 4-40 • Screw, 4-40 • Screw, Head Bind

# Assembly 3. Diskette Drives (5-1/4 Inch)



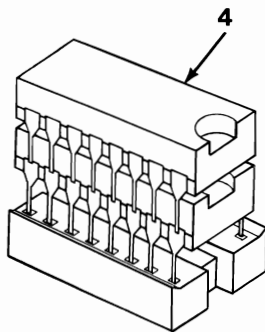
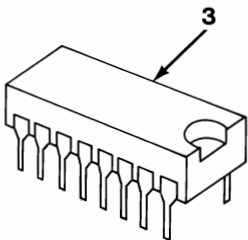
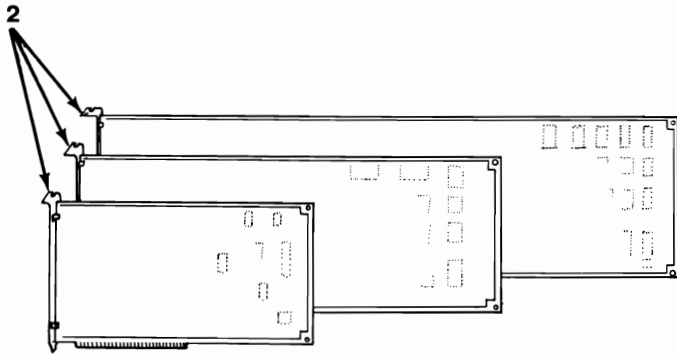
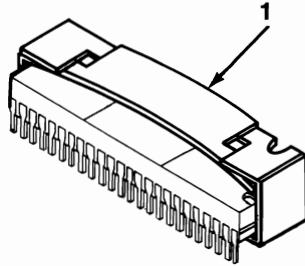
ASM - INDEX	PART NUMBER	UNITS	DESCRIPTION
3 - 1	8286130	AR	Diskette Drive, High Capacity
- 2	8286131	AR	Diskette Drive, Double Sided
- 3	8286124	1	Signal Cable, Fixed Disk and Diskette Drive

# Assembly 4. Fixed Disk Drives



ASM - INDEX	PART NUMBER	UNITS	DESCRIPTION
4 - 1	6278099	AR	Fixed Disk Drive, 20MB
- 1	8286216	AR	Fixed Disk Drive, 30MB
- 2	6489949	AR	Keeper Bar, Fixed Disk
- 3	8286124	1	Signal Cable, Fixed Disk and Diskette Drive
- 4	8286129	AR	Data Cable, Fixed Disk Drive
			Note: All AT fixed disk drives manufactured after October 1, 1985 (except 20MB) will have an identifying label attached.

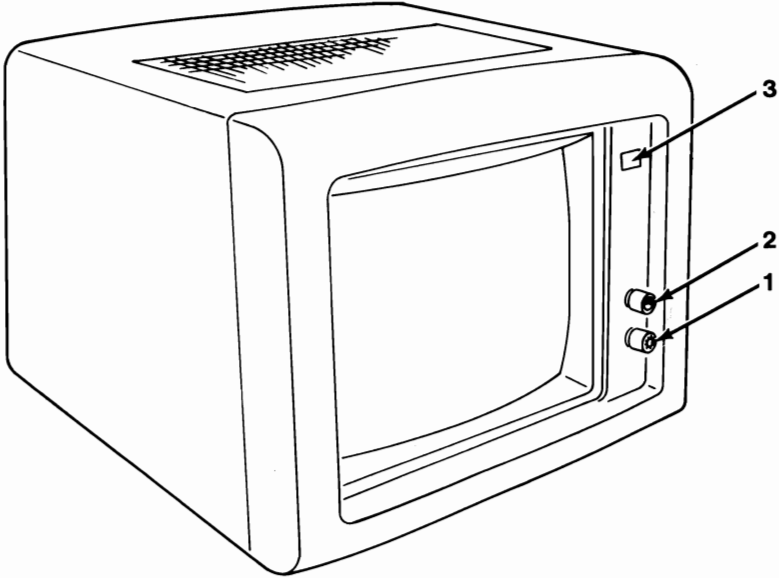
# Assembly 5. Internal Options and Adapters



## Internal Options and Adapters

ASM - INDEX	PART NUMBER	UNITS	DESCRIPTION
5 - 1	8286127	AR	80287 Math Coprocessor
- 2	8286116	AR	128KB Memory Expansion Adapter
- 3	59X7317	18	• 64KB Memory Module (Qty 1)
- 2	6279116	AR	128KB/640KB Memory Expansion Adapter
- 3	59X7317	18	• 64KB Memory Module (Qty 1)
- 3	6480008	AR	• 256KB RAM Module (Qty 1)
- 2	8286115	AR	512KB Memory Expansion Adapter
- 4	8286139	36	• 128KB RAM Module (Qty 1)
- 2	59X7294	AR	512KB/2MB Memory Expansion Adapter
- 3	6480008	AR	• 256KB RAM Module (Qty 1)
- 3	62X0641	AR	• 256KB RAM Module Kit (Qty 18)
- 2	8286098	AR	Binary Synchronous Communications (BSC) Adapter
- 2	6323472	AR	Cluster Adapter
- NS	6323575	AR	Cluster Cable Kit
- 2	8529146	AR	Color/Graphics Monitor Adapter
2	6181768	AR	Data Acquisition Adapter
- 2	8654215	AR	Enhanced Graphics Adapter (w/o Memory Expansion Card)
- NS	6323468	AR	• Graphics Memory Expansion Card (w/o memory modules)
- NS	8654219	24	•• Graphics Memory Module (Qty 1)
- 2	8286125	1	Fixed Disk and Diskette Drive Adapter
2	8529151	AR	Game Control Adapter
2	6181770	AR	GPIO Adapter
- 2	8529148	AR	Monochrome Display and Printer Adapter
- 2	8286171	AR	PC Network Adapter
- NS	8286172	AR	PC Network Adapter Cable
2	62X0912	AR	Professional Graphics Controller
- NS	62X0913	R	• Controller Processor Card
- NS	6133790	R	•• 8088 Processor
- NS	6133791	R	•• 32KB ROM
- NS	6133792	R	•• 32KB ROM
- NS	6323410	R	•• Digital-Analog Converter
- NS	6133788	R	• Controller Emulator Card
- NS	6133789	R	• Controller Memory Card
- NS	6181772	40	•• Professional Graphics Memory Module (Qty 1)
- NS	6323412	R	• Miscellaneous Hardware Kit
- 2	8286138	AR	Prototype Adapter
- 2	8286147	AR	Serial/Parallel Adapter
- NS	8286170	AR	Serial Adapter Cable
- NS	8286194	AR	Serial Adapter Connector
- 2	8286099	AR	Synchronous Data Link Control (SDLC) Communications Adapter
- 2	2684438	AR	Voice Communications Adapter (VCA)
- NS	2684462	AR	Notched Black Telephone Cable, for VCA
- NS	2684487	AR	Notched White Telephone Cable, for VCA
- NS	2684509	AR	Tabbed Black Telephone Cable, for VCA
- NS	2684514	AR	Tabbed White Telephone Cable, for VCA

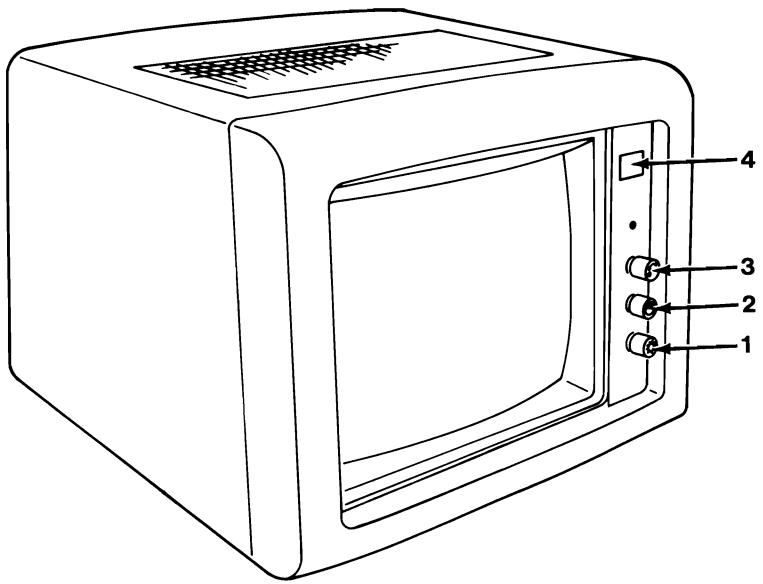
# Assembly 6. Monochrome Display (5151)



# Monochrome Display (5151)

ASM - INDEX	PART NUMBER	UNITS	DESCRIPTION
6 -	8529171		Display Assembly, 120 Volt
-	8529209		Display Assembly, 220/240 Volt
- 1	8529177	1	• Knob, Brightness
- 2	8529178	1	• Knob, Contrast
- 3	8529179	R	• Logo/Label Kit, 120 Volt
- 3	8654205	R	• Logo/Label Kit, 220/240 Volt •• Name Plate, Front •• Label, Caution •• Name Plate, Rear •• Label, FCC
- NS	8529229	R	• Panel, Front
- NS	8529230	R	• Cover, Back
- NS	8529231	R	• Plug, Upper Cover
- NS	8529232	R	• Foot
- NS	8529176	R	• Holder, Power Cord
- NS	8529173	R	• Signal Cable
- NS	8529235	R	• Transformer, 120 Volt
- NS	8654206	R	• Transformer, 220/240 Volt
- NS	8529237	R	• Support, Control
- NS	8529236	R	• Support, Transformer
- NS	8529175	R	• Fuse, 0.75 Amp, 120 Volt
- NS	8654204	R	• Fuse, 0.5 Amp, 220/240 Volt
- NS	8529233	R	• Analog Card
- NS	8529234	R	• PC Card
- NS	8529174	R	• Power Cord, 120 Volt
- NS	8654203	R	• Power Cord, 220/240 Volt
- NS	8529180	R	• Display Miscellaneous Hardware Kit •• Screw, CRT Mounting •• Screw, Transformer •• Support, CRT Mounting •• Bracket, CRT to Front Panel •• Transformer Support, Front Panel •• Screw, Rubber Bushing, Display •• Nut, Rubber Bushing, Display •• Screw, Cable Restraint, Display •• Star Washer, Display
- NS	6937013	AR	Shipping Carton
- NS	6448524	AR	Shipping Cushion, Left
- NS	6448525	AR	Shipping Cushion, Right
- NS	6937056	AR	Shipping Bag

# Assembly 7. Color Display (5153)

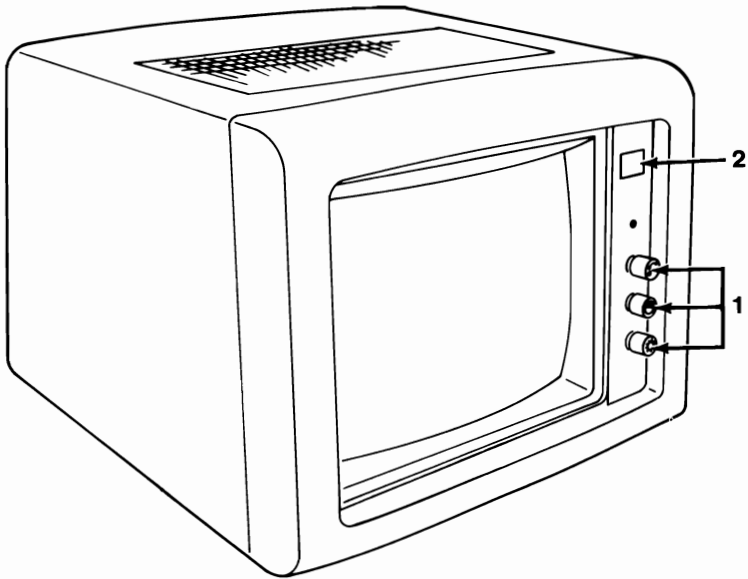




# Color Display (5153)

ASM - INDEX	PART NUMBER	UNITS	DESCRIPTION
7 -	8529227		Display Assembly
-	8654214		Display Assembly (Model-002)
- 1	8529287	1	• Knob, Brightness
- 2	8529288	1	• Knob, Contrast
- 3	8529289	1	• Knob, Power On/Off
- 4	8529339	1	• Logo/Label Kit
- NS	8529285	R	• Cover, Front, Includes Top, Bottom, and Power Supply Brackets
- NS	8529286	R	• Cover, Rear
- NS	8529323	R	• P.C. Board •• Flyback Transformer •• Focus Pack •• Horizontal Drive Transistor •• Chassis
- NS	8654222	R	• P.C. Board/Flyback Transformer Control Assembly (Model-002)
- NS	6135903	R	• Degaussing Coil
- NS	8529338	R	• Control Assembly
- NS	8654224	R	• Control Assembly (Model-002)
- NS	8654276	R	• Indicator, Power-On
- NS	8529291	R	• Power Supply Assembly
- NS	8654221	R	• Power Supply Assembly (Model-002)
- NS	8529290	R	• CRT and Yoke
- NS	8529324	R	• CRT Board and Shield Cable
- NS	8529334	R	• Cable, Signal
- NS	8529336	R	• Power Receptacle/Line Filter Assembly
- NS	8654223	R	• Power Receptacle/Line Filter Assembly (Model-002)
- NS	8529335	R	• Vertical Size Pot Shaft Extension
- NS	8529337	R	• Vertical Hold Pot Shaft Extension
- NS	8529327	R	• Miscellaneous Hardware Kit •• Shield, Driver Board •• Retainers, Driver Board Shield •• Strain Relief, Signal Cord •• Screws, Power Supply •• Screws, CRT Mounting •• Screws, Control Assembly •• Screws, P.C. Board Chassis Mounting •• Screws and Washers, Rear Cover •• Plugs, Cover Screw •• Wire Ties, Degaussing Coil
- NS	6937192	R	Packing Material Kit
- NS	6182313	AR	Shipping Carton
- NS	6182056	AR	Shipping Cushion, Front
- NS	6182057	AR	Shipping Cushion, Back
- NS	6182319	AR	Shipping Bag
- NS		1	Power Cord (See Power Cord Parts List)

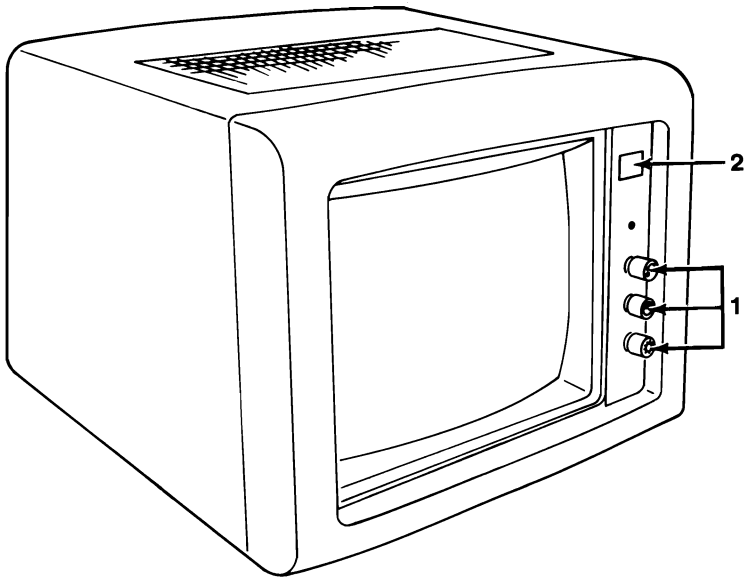
# Assembly 8. Enhanced Color Display (5154)



## Enhanced Color Display (5154)

ASM - INDEX	PART NUMBER	UNITS	DESCRIPTION
8 -	6321035		Display Assembly, Model 001
	6321049		Display Assembly, Model 002
	6321036		Display Assembly, Model 003
- 1	6321056	1	• Knob and Cover Cap Kit •• Knob, On/Off (Qty 1) •• Knob, Contrast (Qty 1) •• Knob, Brightness (Qty 1) •• Cap, Cover (Qty 2) •• Knob, Rear (Qty 2)
- 2	6321061	R	• Logo and Label Kit •• Logo, Back •• Labels, Bottom Cover Warning (Five Languages)
- NS	6323319	1	• Rubber Foot Kit •• Rubber Feet (Qty 4) •• Washers (Qty 4) •• Screws (Qty 4)
- NS	6321050	R	• Cover, Front
- NS	6321051	R	• Cover, Rear
- NS	6321052	R	• Main P.C. Board Assembly/Chassis/ CRT Drive Card
- NS	6321053	R	• Power Supply with Cover
- NS	6321054	R	• Video Amp. Assembly/RGB Cable and Connector
- NS	6321055	R	• Control Assembly, Front
- NS	6321057	R	• Indicator, Power-On
- NS	6321058	R	• Rear Control Panel Assembly/ Strain Relief
- NS	6321059	R	• Signal Cable
- NS	6135903	R	• Degaussing Coil
- NS	6321064	R	• Miscellaneous Hardware Kit •• Washers, CRT Rubber Mounting (Qty 4) •• Shield, Plastic Drive Board (Qty 1) •• Retainers, Plastic Shield (Qty 2)
- NS	6321060	R	• Model 001/Model 002 CRT and Deflection Yoke Assembly, includes Wires, Ground Band, and CRT Warning Label
- NS	6321063	R	• Model 003 CRT and Deflection Yoke Assembly, includes Wires, Ground Band, and CRT Warning Label
- NS	6182313	AR	Shipping Carton
- NS	6182056	AR	Shipping Cushion, Front
- NS	6182057	AR	Shipping Cushion, Back
- NS	6182319	AR	Shipping Bag
- NS		1	Power Cord (See Power Cord Parts List)

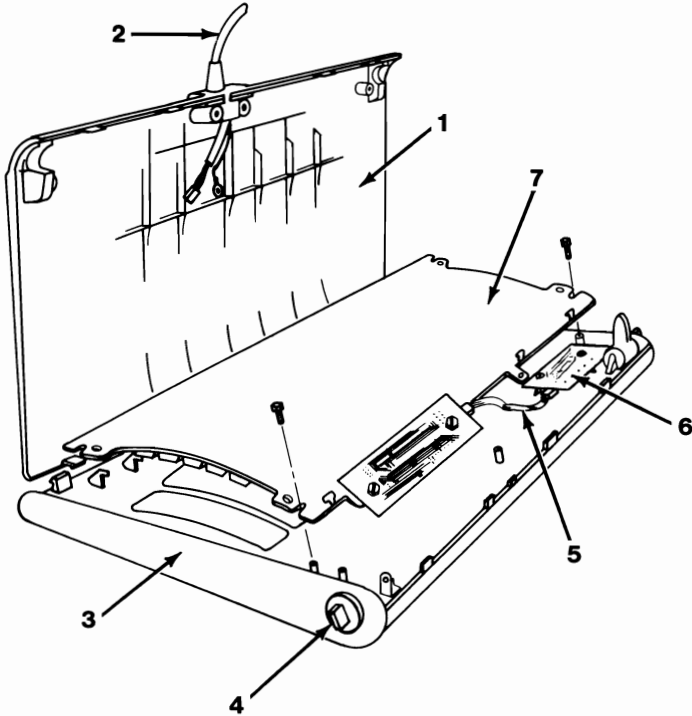
# Assembly 9. Professional Graphics Display (5175)



## Professional Graphics Display (5175)

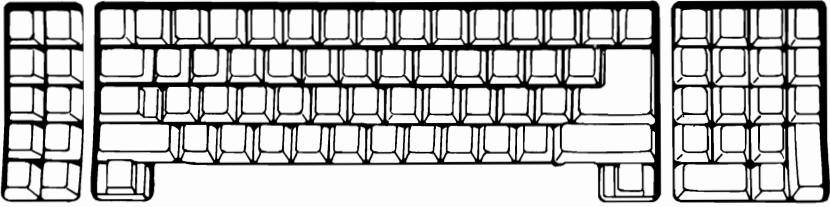
ASM - INDEX	PART NUMBER	UNITS	DESCRIPTION
9 -	6181764		Display Assembly, Domestic US
-	6181766	R	Display Assembly, Northern Hemisphere
-	6181767	R	Display Assembly, Southern Hemisphere
- 1	6133993	1	• Knob and Cover Cap Kit •• Cover Caps (Qty 2) •• Knob Set, Front (Qty 3)
- 2	6133997	R	• Logo & Label Kit •• Name Plate, Front, IBM •• Name Plate, Back, IBM •• Labels, Warning Bottom Cover
- NS	6321050	R	• Cover, Front
- NS	6321051	R	• Cover, Rear
- NS	6133989	R	• Main PCB Assembly/Chassis/ CRT Drive Card
- NS	6133990	R	• Power Supply with Cover
- NS	6133991	R	• Video AMP Assembly/RGB Cable and Connector
- NS	6133992	R	• Control Assembly, Front
- NS	6321057	R	• Indicator, Power-On
- NS	6133994	R	• Signal Cable
- NS	6133995	R	• CRT & Deflection Yoke Assembly with Wires/Tubes, Warning Labels (GND Band) (Northern Hemisphere)
- NS	6133996	R	• CRT & Deflection Yoke Assembly with Wires/Tubes, Warning Labels (GND Band) (Southern Hemisphere)
- NS	6323319	1	• Rubber Feet Kit
- NS	6321064	R	• Miscellaneous Hardware Kit •• Washers, CRT Mounting Rubber •• Shield, Plastic Board •• Shield Retainers, Plastic Type
- NS	6133998	R	• Rating Label, Model 002
- NS	6133999	R	• Rating Label, Model 003
- NS	6182313	AR	Shipping Carton
- NS	6182056	AR	Shipping Cushion, Front
- NS	6182057	AR	Shipping Cushion, Back
- NS	6182319	AR	Shipping Bag
- NS		1	Power Cord (See Power Cord Parts List)

# Assembly 10. Keyboard (84-Key)



ASM - INDEX	PART NUMBER	UNITS	DESCRIPTION
10 -	8286165		Keyboard Assembly, US
- 1	8286142	1	• Cover, Top
- 2	8286146	1	• Cable, External
- 3	8286143	1	• Base
- 4	8286141	1	• Foot, Adjustable (The Adjustable Foot Spring is included in the Miscellaneous Parts Kit for the System Unit)
- 5	8286145	1	• Cable, Internal
- 6	8286144	1	• LED Card
- 7	8286140	1	• Keypad Assembly, US
- 7	8286160	R	Keypad Assembly, France
- 7	8286162	R	Keypad Assembly, Germany
- 7	8286161	R	Keypad Assembly, Italy
- 7	8286163	R	Keypad Assembly, Spain
- 7	8286164	R	Keypad Assembly, UK

# Assembly 11. Keybutton Kits (84-Key)

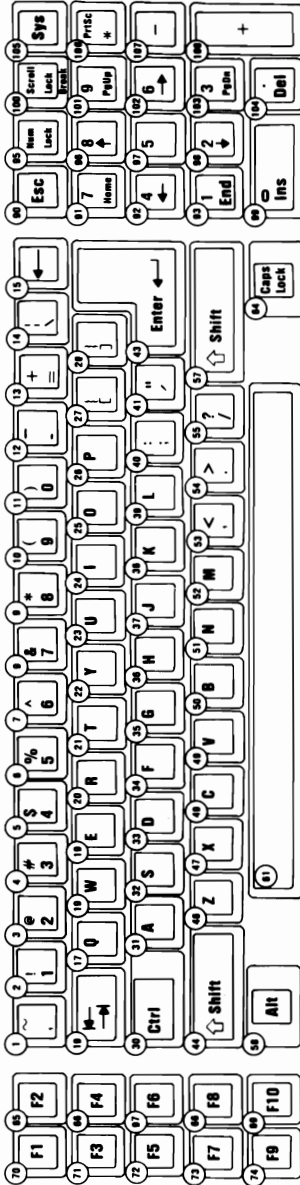


ASM - INDEX	PART NUMBER	UNITS	DESCRIPTION
11 - 1	8286153		Keybutton Kit, US
- 1	8286154		Keybutton Kit, France
- 1	8286156		Keybutton Kit, Germany
- 1	8286155		Keybutton Kit, Italy
- 1	8286157		Keybutton Kit, Spain
- 1	8286158		Keybutton Kit, UK

**Note:**

Keybutton kits contain a complete set of keybuttons (spacebar not included).

# Assembly 12. Keybuttons (84 Key)



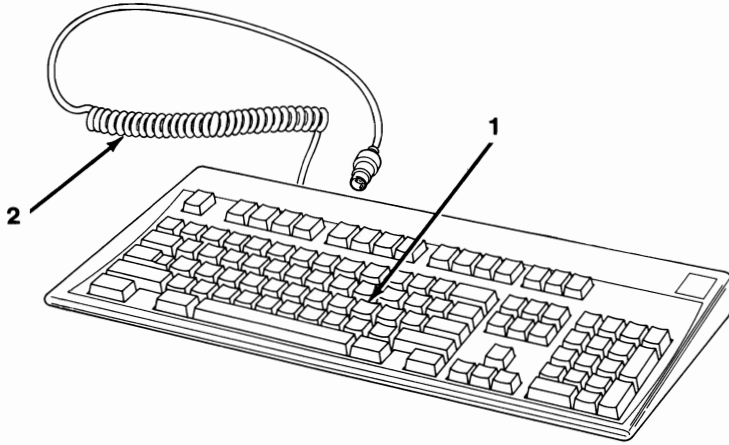


# Keybuttons (84 Key)

Key Location	Part Number	Description	Key Location	Part Number	Description
1	1642306	~/'	46	2658860	Z
2	1761460	!/1	47	2658861	X
3	1642308	@/2	48	2658862	C
4	1642309	#/3	49	2658863	V
5	1642342	\$/4	50	2658864	B
6	1642343	%/5	51	2658865	N
7	4496183	^/6	52	2658866	M
8	2658824	&/7	53	1864026	</,
9	2658825	* /8	54	1864027	> /.
10	2658826	(/9	55	2658869	? / /
11	2658827	) /0	57	6111189	☆
12	1761515	- /-	58	1762744	Alt
13	2658829	+ /=	61	N/A	Spacebar
14	5997221	/ \	64	8310423	Caps Lock
15	5997176	←	65	4584721	F2
16	8310421	← / →	66	4584723	F4
17	2658832	Q	67	4584725	F6
18	2658833	W	68	4584727	F8
19	2658834	E	69	4584729	F10
20	2658835	R	70	4584720	F1
21	2658836	T	71	4584722	F3
22	2658837	Y	72	4584724	F5
23	2658838	U	73	4584726	F7
24	2658839	I	74	4584728	F9
25	2658840	O	90	4584714	Esc
26	2658841	P	91	4584732	7/Home
27	4585286	{/[	92	6111212	4/←
28	8310418	} /]	93	4584737	1/End
30	8310420	Ctrl	95	8310426	Num Lock
31	2658846	A	96	6111213	8/↑
32	2658847	S	97	2658892	5
33	2658848	D	98	6111215	2/↑
34	2658849	F	99	8310424	0/Ins
35	2658850	G	100	8310427	Scr1 Lock
36	2658851	H	101	4584734	9/PgUp
37	2658852	J	102	6111214	6/→
38	2658853	K	103	4584739	3/PgDn
39	2658854	L	104	8310425	Del
40	2658855	:/;	105	8543584	Sys
41	4584779	"/ /	106	4584718	PrtSc
43	1435031	←	107	8310448	-
44	6111188	□	108	8310429	+

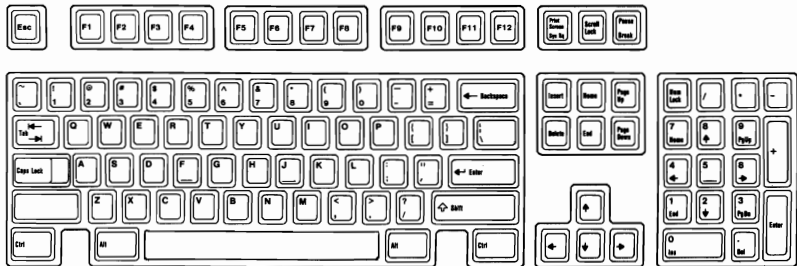
Part numbers for complete keybutton sets are on page 23.

# Assembly 13. Keyboard (101/102 Key)



ASM - INDEX	PART NUMBER	UNITS	DESCRIPTION
13 -	6447033		Keyboard Assembly, US
-	6447035		Keyboard Assembly, France
-	6447036		Keyboard Assembly, Germany
-	6447037		Keyboard Assembly, Italy
-	6447038		Keyboard Assembly, Spain
-	6447034		Keyboard Assembly, UK
- 1	6447039	1	• Keypad Assembly, US
- 1	6447041	R	• Keypad Assembly, France
- 1	6447042	R	• Keypad Assembly, Germany
- 1	6447043	R	• Keypad Assembly, Italy
- 1	6447044	R	• Keypad Assembly, Spain
- 1	6447040	R	• Keypad Assembly, U.K.
- NS	6447052	R	• Circuit Board Assembly
- NS	6448803	R	• Cable, Internal
- NS	6447053	R	• LED Assembly
- NS	6447055	R	• Cover Assembly
- NS	6447054	R	•• Foot, Adjustable (Qty 2)
- NS	6447056	AR	• Miscellaneous Parts Kit
			•• Screws (Qty 5)
			•• Nut
			•• Lock Washer
- 2	6447051	1	• Cable Assembly
- NS	6110464		Tool, key cap removal

# Assembly 14. Keybutton Kits (101/102 Key)



ASM - INDEX	PART NUMBER	UNITS	DESCRIPTION
14 - 1	6447045	1	Keybutton Kit, US
- 1	6447046	1	Keybutton Kit, U.K.
- 1	6447047	1	Keybutton Kit, France
- 1	6447048	1	Keybutton Kit, Germany
- 1	6447049	1	Keybutton Kit, Italy
- 1	6447050	1	Keybutton Kit, Spain

Note: Keybutton Kit contains a complete set of keybuttons (spacebar is included).

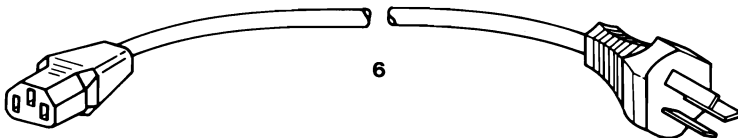
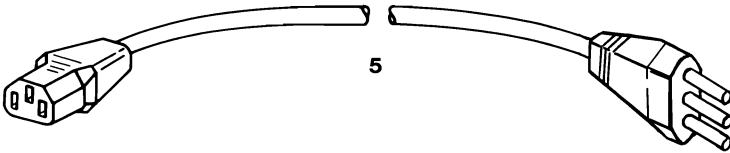
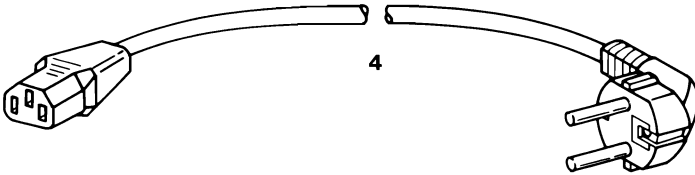
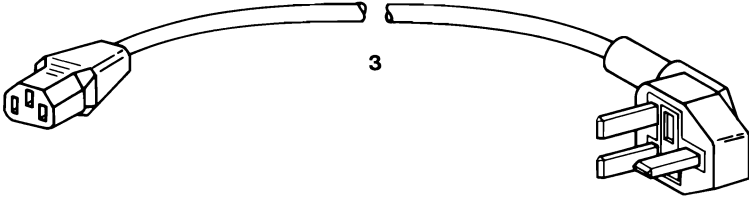
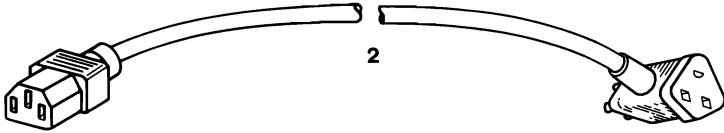
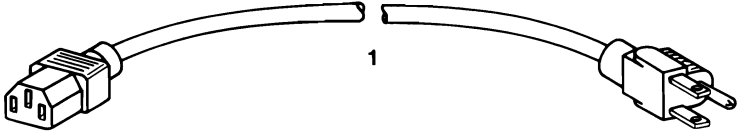


# 101/102-Key Keybutton Part Numbers

Key Location	Part Number	Description	Key Location	Part Number	Description
1	8502190	~/'	55	1387688	?//
2	1387262	!/1	57	1386320	⊙
3	1386780	⊙/2	58	1385413	Ctrl
4	1387281	#/3	60	1385539	Alt
5	1387282	\$/4	61	N/A	Spacebar
6	1387283	%/5	62	1385539	Alt
7	1387261	^/6	64	1385413	Ctrl
8	1386785	ε/7	75	1386653	Insert
9	1386786	* /8	76	1386654	Delete
10	1386787	(/9	79	8502367	←
11	1386788	) /0	80	1386655	Home
12	8502201	_ /-	81	1386656	End
13	8502202	±/=	83	8502380	↑
15	1385816	←	84	8502381	↓
16	1385797	←/→	85	1386657	Page Up
17	8502203	Q	86	1386658	Page Down
18	8502204	W	89	8502371	→
19	8502205	E	90	1386659	Num Lock
20	8502206	R	91	1386660	7/Home
21	8502207	T	92	1386661	4/←
22	8502208	Y	93	1386662	1/End
23	8502209	U	95	1386663	/
24	8502210	I	96	1386664	8/↑
25	8502211	O	97	1386699	5
26	8502212	P	98	1386665	2/↑
27	1385707	{/[	99	1386695	0/Ins
28	1385708	} /]	100	1386666	*
29	1386611	/\	101	1386667	9/PgUp
30	1385798	Caps Lock	102	1386668	6/→
31	8502215	A	103	1386669	3/pgdn
32	8502216	S	104	1386670	./Del
33	8502217	D	105	1386671	- (minus)
34	8502218	F	106	1386321	+ (plus)
35	8502219	G	108	1386322	Enter
36	8502220	H	110	1386672	Esc
37	8502221	J	112	1386673	F1
38	8502222	K	113	1386674	F2
39	8502223	L	114	1386675	F3
40	8502224	:/; i	115	1386676	F4
41	8502225	"/; i	116	1445836	F5
43	1386612	←	117	1445837	F6
44	1386694	⊙	118	1445838	F7
46	8502228	Z	119	1445839	F8
47	8502229	X	120	1386677	F9
48	8502230	C	121	1386678	F10
49	8502231	V	122	1386679	F11
50	8502232	B	123	1386680	F11
51	8502233	N	124	1386681	PrtSc
52	8502234	M	125	1386682	Scroll Lock
53	6111301	</,	126	1386683	Pause
54	6111302	>/.			

Part numbers for complete keybutton sets are on page 27.

# Assembly 16. Power Cords



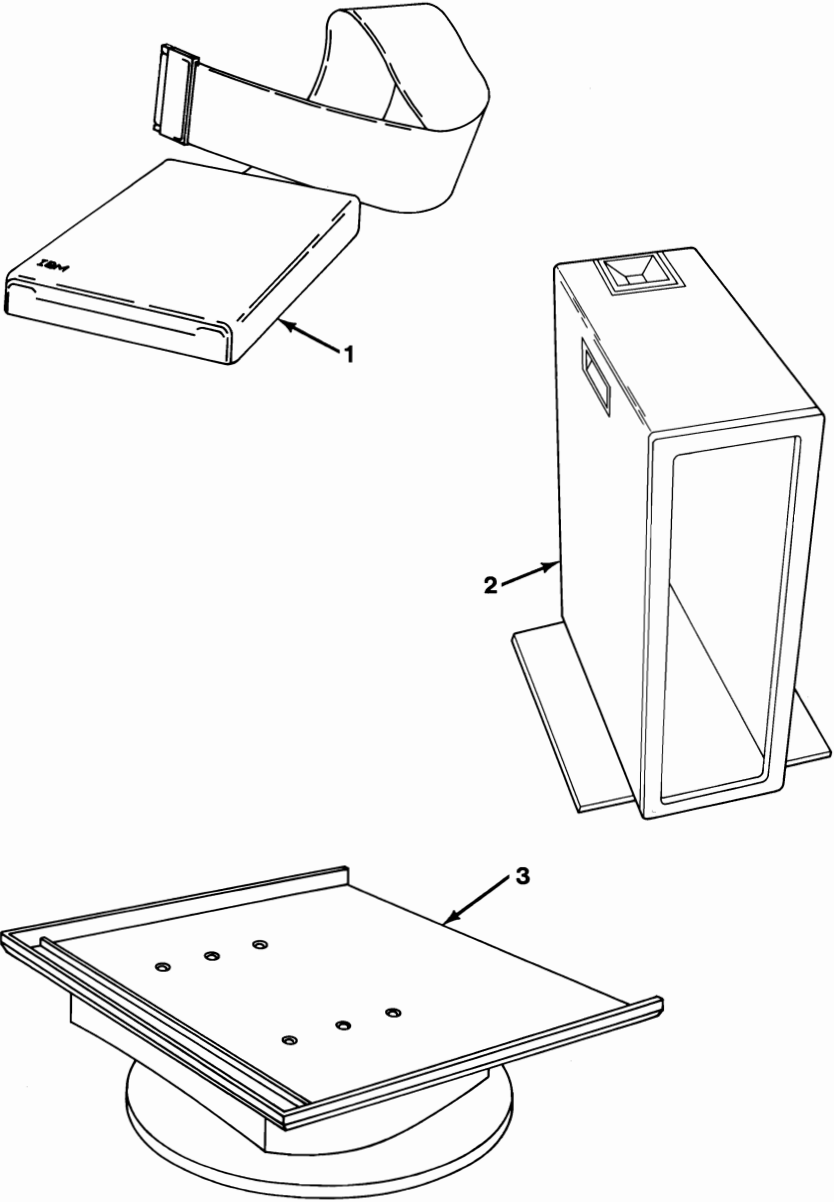
## Power Cords

ASM - INDEX	PART NUMBER	UNITS	DESCRIPTION
16 - 1	8529158	1	Power Cord, Options, US
- 2	8286120	1	Power Cord, System Unit, US Power Cord, Venezuela Power Cord, Colombia
- 3	8529341	1	Power Cord, UK Power Cord, Hong Kong Power Cord, Singapore
- 4	8529281	1	Power Cord, Germany Power Cord, France Power Cord, Spain
- 5	8529282	1	Power Cord, Italy
- 6	8529284	1	Power Cord, Australia Power Cord, New Zealand

**Warning:**

Use only the proper Power Cord certified for your country.

# Assembly 17. Miscellaneous





# Miscellaneous

ASM - INDEX	PART NUMBER	UNITS	DESCRIPTION
17 - 1	6181769	AR	Data Acquisition Distribution Panel
- 2	8286195	AR	Floor Stand
	8286196	R	• Trim, Front Bezel
	8286197	R	• Back Panel
	8286198	R	• Rails
- 3	8286199	AR	Display Stand
	8286200	R	• Platter, Bottom
	8286201	R	• Platter, Top
	8286202	R	• Skirt, Back
- NS	8529228	AR	Parallel Port Wrap Plug
- NS	8529280	AR	Communications Cable Wrap Plug
- NS	8286126	AR	Serial Port Wrap Plug
- NS	6323481	AR	Cluster Terminating Plug
- NS	6323712	AR	Data Acquisition Wrap Plug
- NS	6138013	AR	Plastic Envelope, Wrap Plug

# Notes:

